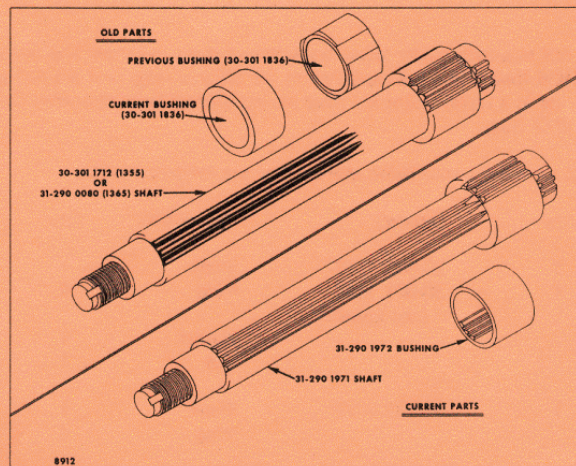


White Farm Equipment Company

Service Bulletin

Location: Charles City
Subject: 1255, 1265, 1355, 1365
Transmission Seizure
Number: 430 594
Date: 10-16-73
File: C Transmission
1 of 2



Old and New Transmission Parts

This supersedes and cancels Service Bulletin 430 568, dated 6-6-73.

PROBLEM

Possible transmission inner ring (Bushing) seizure on some 1255, 1265, 1355 and 1365 tractors.

OBSERVATION

Bushing may seize in driven gear. Seized bushings may rotate on lower transmission shaft resulting in failure of shaft.

CORRECTION

FACTORY

1265 and 1365 production models are now equipped with inner rings splined directly to driven shaft to prevent rotation on shaft. Bushings are phosphate coated to prevent seizing in driven gear.



PARTS REPLACEMENT OR REPAIR AT COMPANY EXPENSE IS NOT AUTHORIZED UNLESS SUCH POLICY IS STATED.

2 of 2
430 594

FIELD

Repair bushings for tractors not requiring a new lower transmission shaft are phosphate coated and do not have four flat areas machined on them.

1255 AND 1265

If problem exists purchase and install 31-290 1988 Phosphate Coated Inner Rings.

1355 AND 1365

If problem exists on tractors not requiring a new lower transmission shaft, purchase and install 30-301 1836 Phosphate Coated Inner Rings. 30-301 1836 Inner Ring is a replacement for original rings that are not splined to driven shaft. Do not use 30-301 1836 Inner Ring as a replacement for rings having splined inner diameter. Original rings having splined inner diameter order 31-290 1972 Ring.

Tractors requiring replacement of lower transmission shaft, order the following parts.

	Qty	Old Part	Description	Qty	New Part
1355	1	30-301 1712	Shaft	1	31-290 1971
	4	30-301 1836 (not splined)	Ring	4	31-290 1972 (splined)
			Washer	1	31-290 0156
			Nut	1	31-290 0130
1365	1	31-290 0080	Shaft	1	31-290 1971
			Ring	4	31-290 1972 (splined)

Service Department

900 :LET:sb